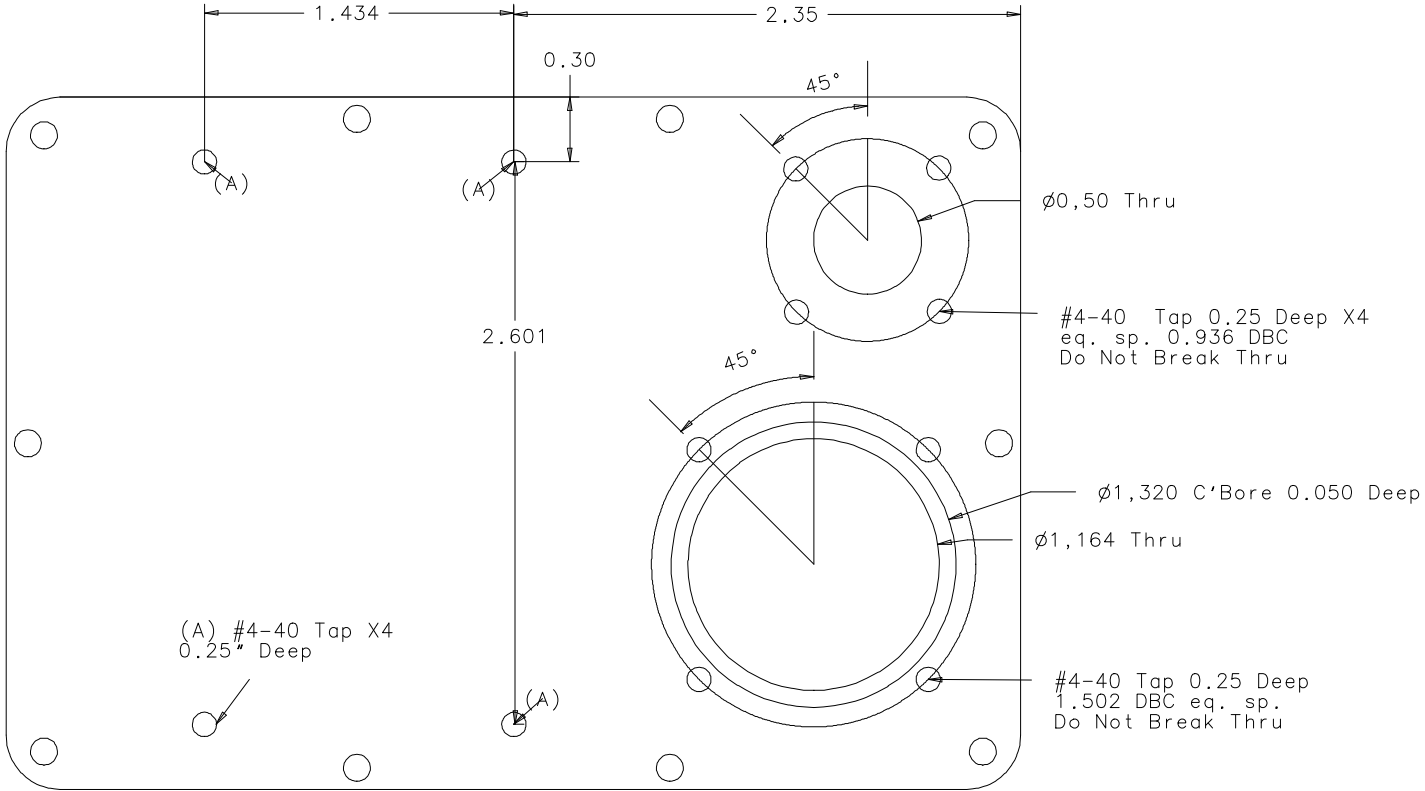


# CCD CAMERA BASE PLATE OUTSIDE VIEW



Material = Aluminum 6061  
 Thickness 0.375"  
 Page 2 of 2

J.M. Zajac  
 4/17/06  
 SA0-OIR