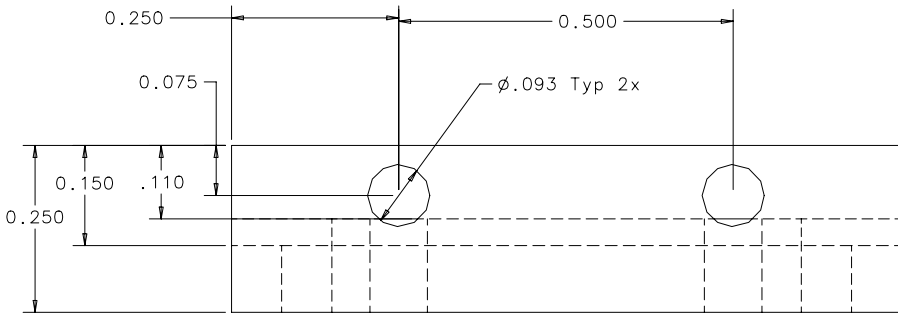
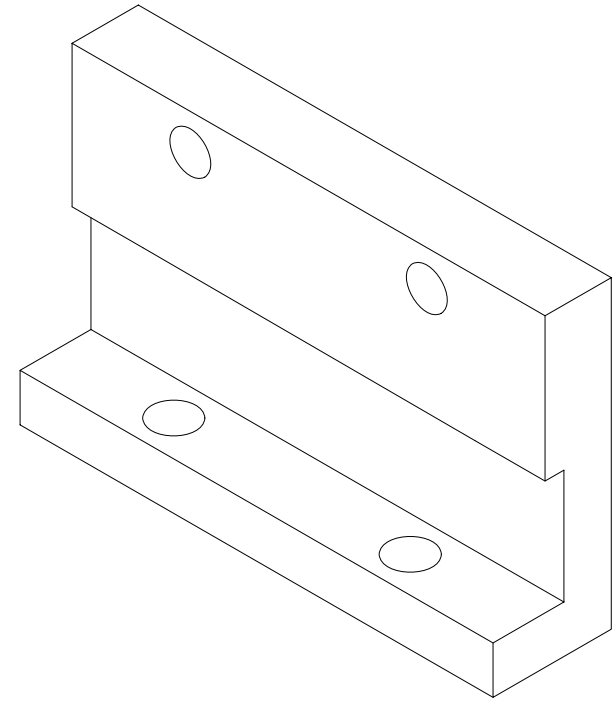
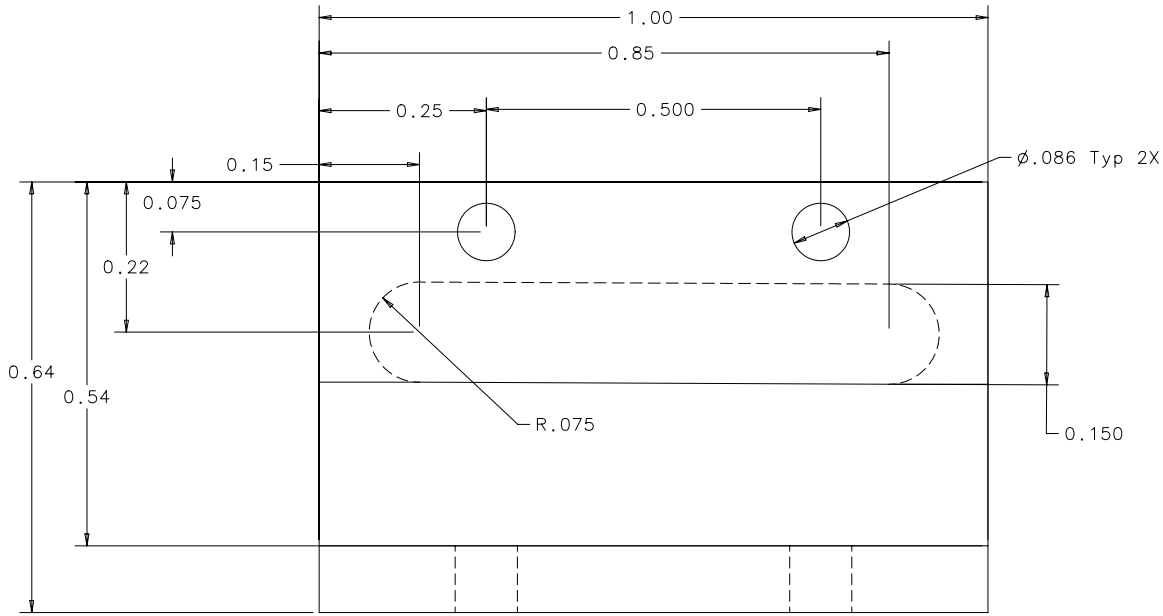


REVISIONS				
ZONE	LTR	DESCRIPTION	DATE	APPROVED
	X	INITIAL X		



NOTES:

1 MATERIAL: Aluminum

2 QUANTITY: 2

REMOVE BURRS AND BREAK SHARP EDGES		DR X DATE X	CHK DATE	SMITHSONIAN ASTROPHYSICAL OBSERVATORY CENTRAL ENGINEERING CAMBRIDGE, MA.	
UNLESS OTHERWISE SPECIFIED DIMENSIONS ARE IN INCHES		DSGN APPD DATE		Electronic Bracket	
TOLERANCES ON FRACTIONS DECIMALS ANGLES ± .XX ± .01 ± .25° ± .XXX ± .005		DSGN APPD DATE		SIZE CODE IDENT NO. DWG NO. REV	
MACH. FIN: 63		ENGR APPD J.M. Zajac DATE 11/20/07		C 50944 X	
MAT'L: 1	FIN: 2	PROJ APPD DATE		SCALE 1/1 IDEAS MS7 SHEET 1 OF 1	
NEXT ASSY X		CONTRACT			