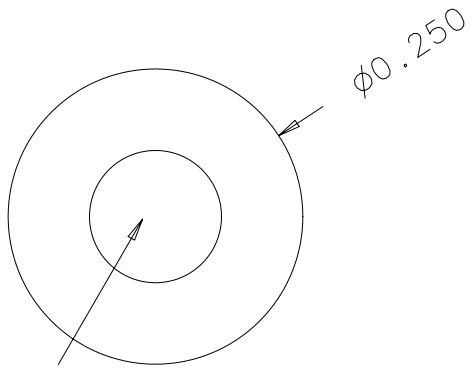
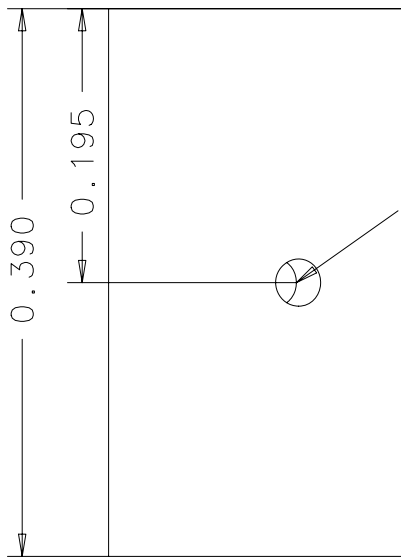
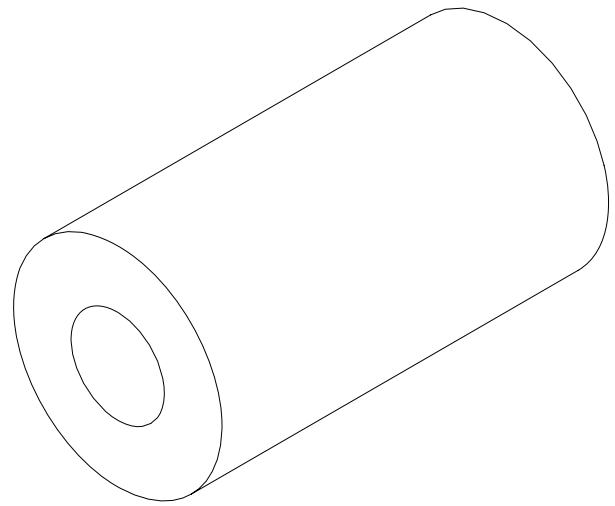


Standoff Baseplate



#4-40 Tap Through



Vent Hole

Material G10
Quantity 4

SAO-OIR Guide Camera
7/17/07
J.M. Zajac