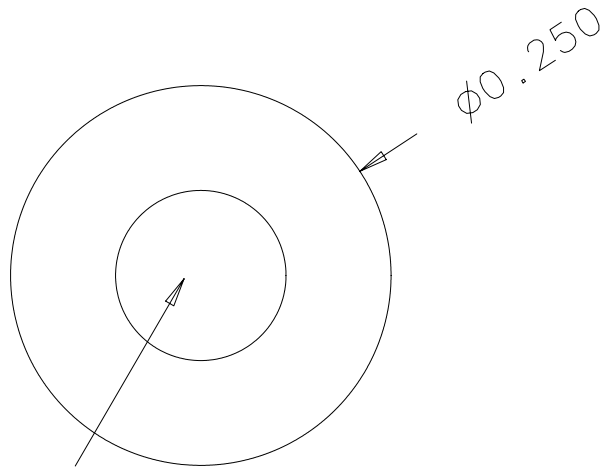
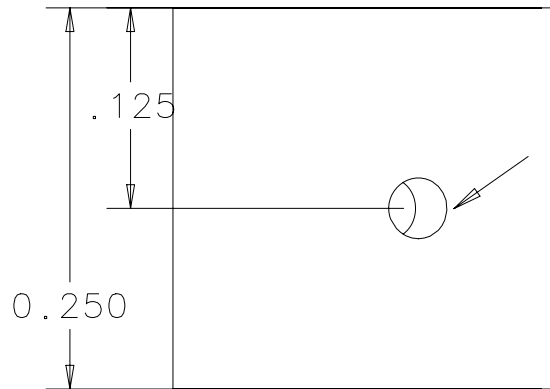


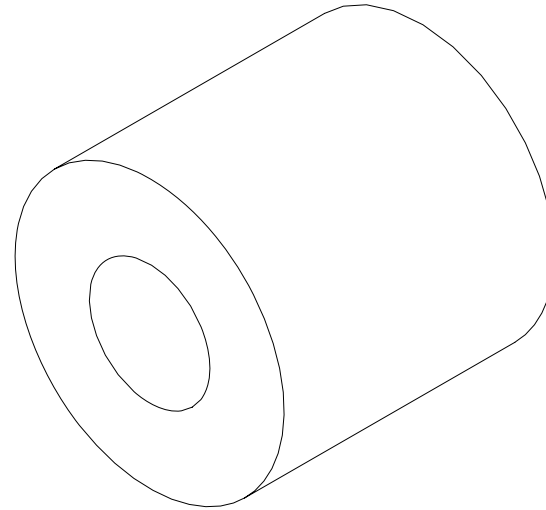
Standoff Baseplate



#4-40 Tap Through



Vent
Hole
#55 Drill



Material G10
Quantity 4

SAO-OIR Guide Camera
11/20/07
J.M. Zajac