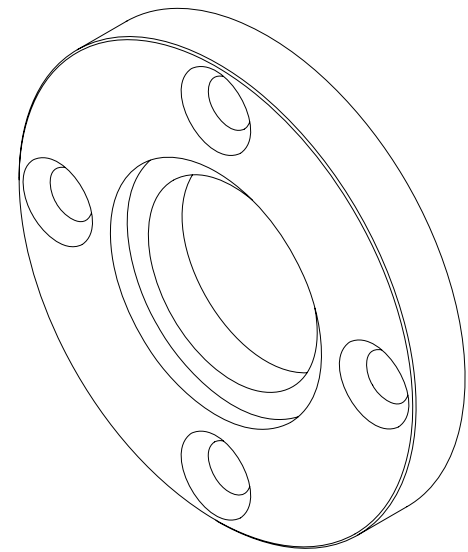
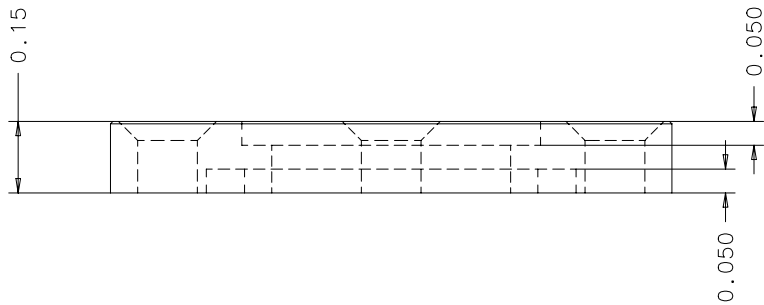
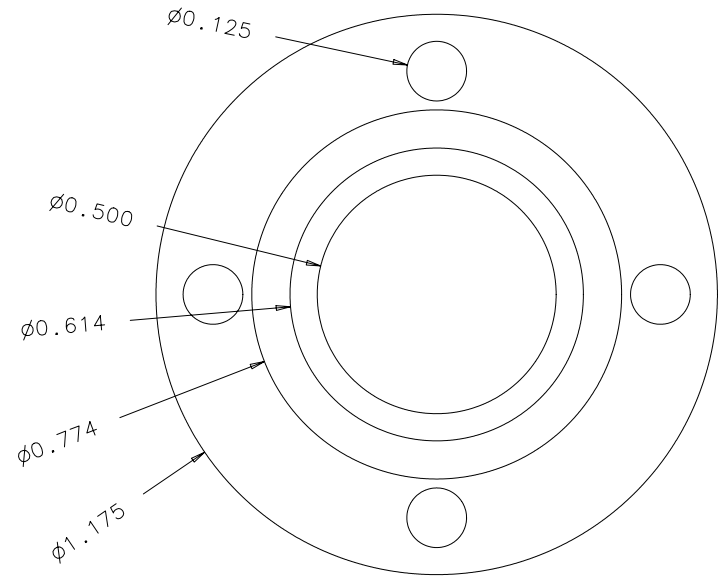
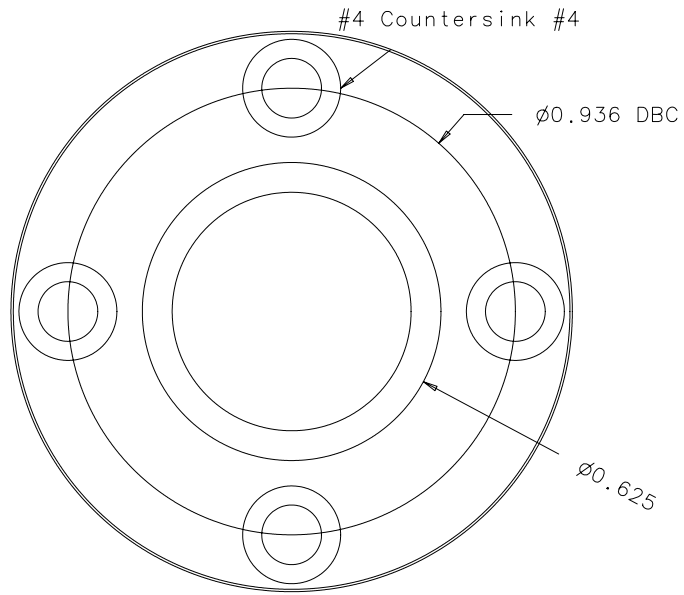


# Vac Flange



Material 300 Series Stainless Steel

J.M. Zajac  
SAO  
4/6/07