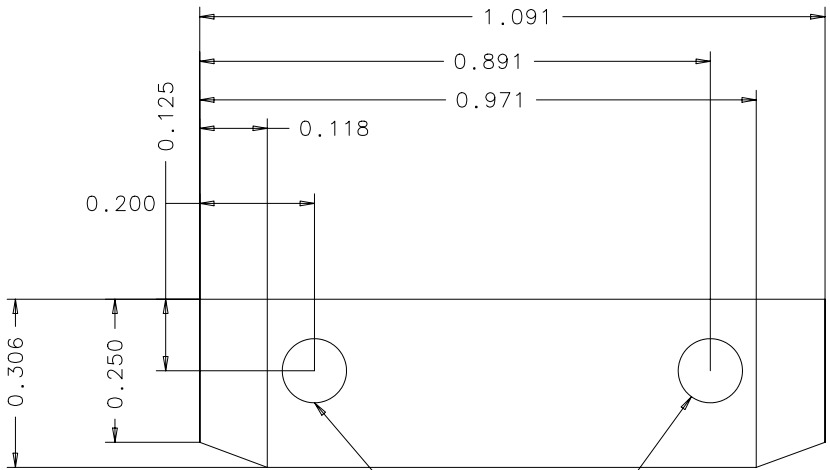
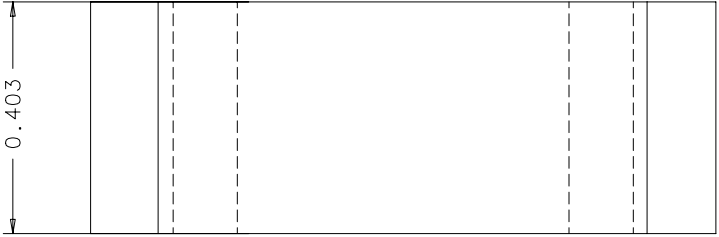
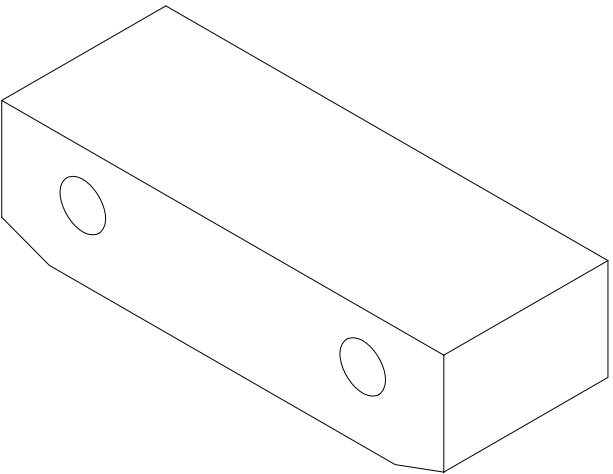


REVISIONS				
ZONE	LTR	DESCRIPTION	DATE	APPROVED
	X	INITIAL X		



#4-40 Tap Thru



REMOVE BURRS AND BREAK SHARP EDGES	DR X DATE X	CHK DATE
UNLESS OTHERWISE SPECIFIED DIMENSIONS ARE IN INCHES	DSGN APPD DATE	
TOLERANCES ON FRACTIONS DECIMALS ANGLES ± .XX ± .01 ± .25° ± .XXX ± .005	DSGN APPD DATE	
MACH. FIN: 63	ENGR APPD J.M. Zajac DATE 31 July 2007	
MAT'L: 1 FIN: 2	PROJ APPD DATE	
NEXT ASSY X	CONTRACT	

SMITHSONIAN ASTROPHYSICAL OBSERVATORY Optical & Infrared Division CAMBRIDGE, MA.			
Cold Center			
SIZE C	CODE IDENT NO. 50944	DWG NO. For 3 Stage TEC	REV 1
SCALE 1/1	IDEAS MS7	SHEET 1 OF 1	

NOTES:
1 MATERIAL: Aluminum

