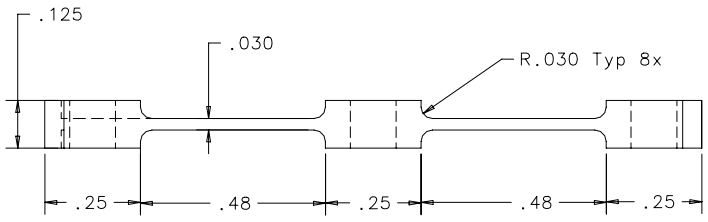
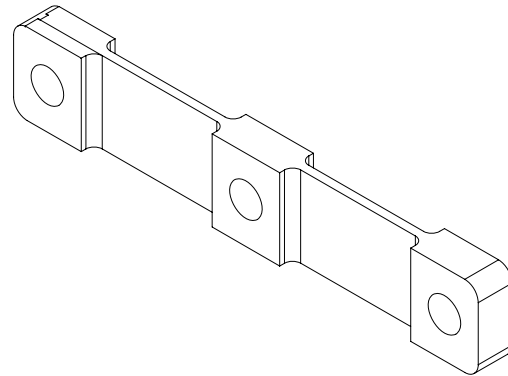
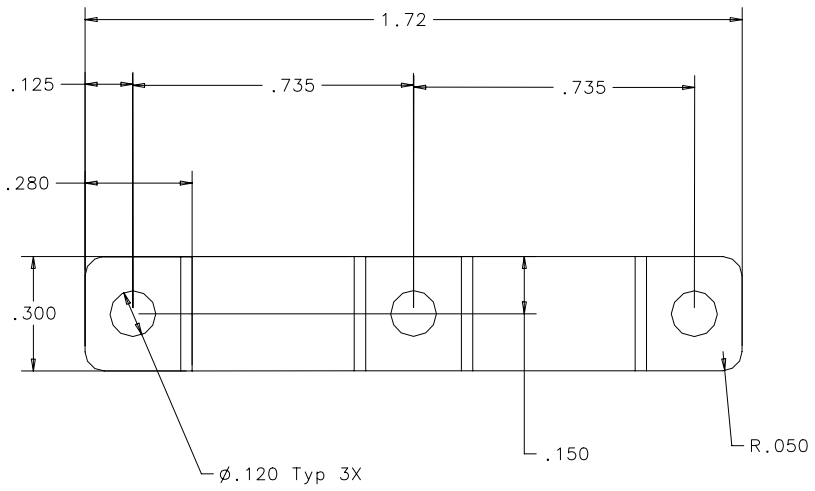


REVISIONS				
ZONE	LTR	DESCRIPTION	DATE	APPROVED
	X	INITIAL X		



NOTES:

1 MATERIAL: G10

2 Quantity: 2

REMOVE BURRS AND BREAK SHARP EDGES		DR X DATE X	CHK DATE	SMITHSONIAN ASTROPHYSICAL OBSERVATORY CENTRAL ENGINEERING CAMBRIDGE, MA.		
UNLESS OTHERWISE SPECIFIED DIMENSIONS ARE IN INCHES		DSGN APPD DATE		Flexure		
TOLERANCES ON FRACTIONS DECIMALS ANGLES ± .XX ± .01 ± .25° ± .XXX ± .005		DSGN APPD DATE				
MACH. FIN: 63		ENGR APPD J.M. Zajac DATE 11/20/07		SIZE C	CODE IDENT NO. 50944	DWG NO.
MAT'L: 1	FIN: 2	PROJ APPD DATE		REV X		
NEXT ASSY X		CONTRACT		SCALE 1/1	IDEAS MS7	SHEET 1 OF 1