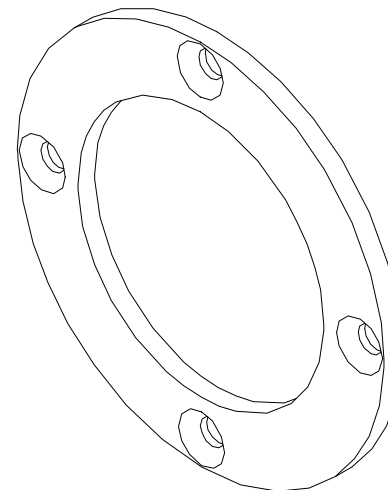
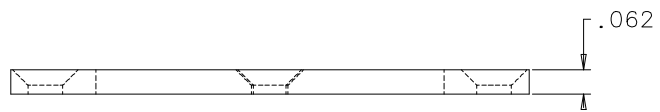
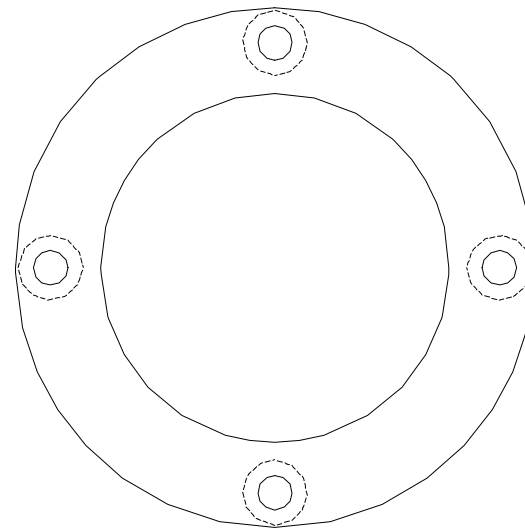


0.093 Dia. Holes Thru
eq. sp. 82 Deg. c'sink
to 0.175 dia. on a 1.160 DBC 4X



Window Retainer

Material: Aluminum 6061
Rev: 5/08/06

J.M. Zajac
12/21/05
SAO-01R