

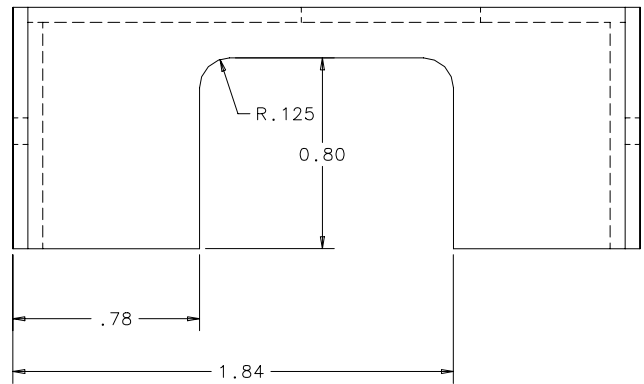
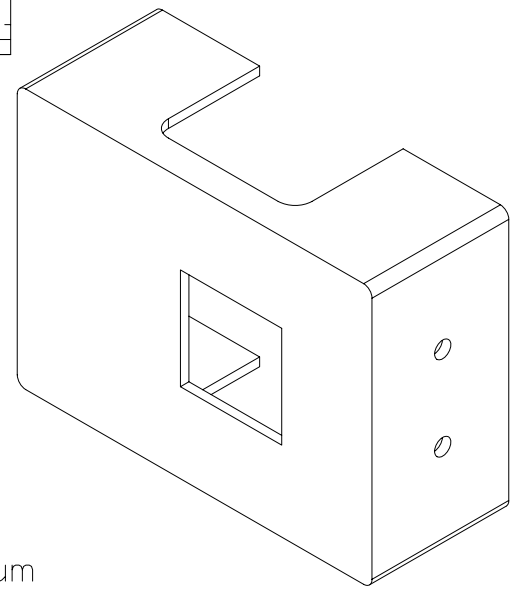
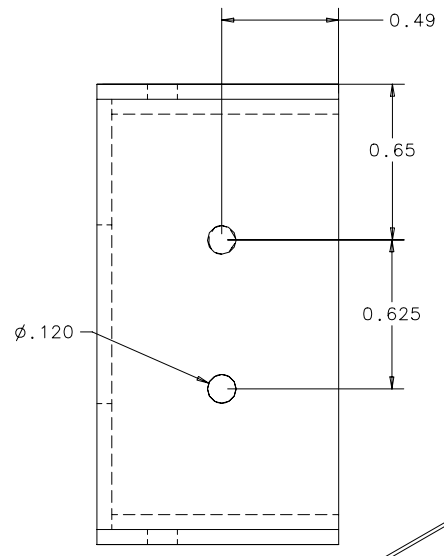
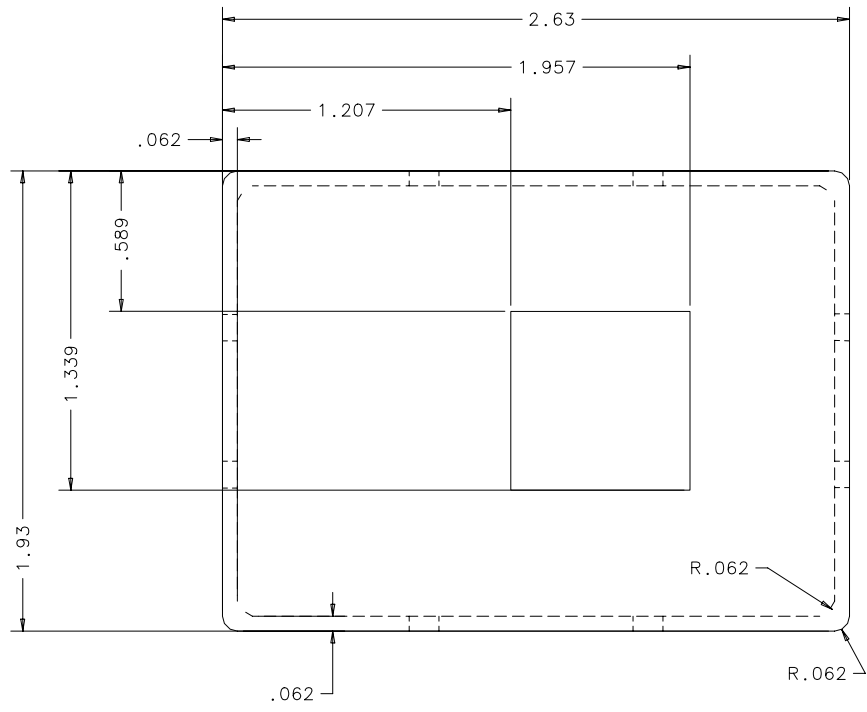
4

3

2

1

REVISIONS				
ZONE	LTR	DESCRIPTION	DATE	APPROVED
X		INITIAL X		



Material: Aluminum

REMOVE BURRS AND BREAK SHARP EDGES		DR X DATE X	CHK DATE	SMITHSONIAN ASTROPHYSICAL OBSERVATORY CENTRAL ENGINEERING CAMBRIDGE, MA.	
UNLESS OTHERWISE SPECIFIED DIMENSIONS ARE IN INCHES		DSGN APPD DATE		Radiation Shield	
TOLERANCES ON FRACTIONS DECIMALS ANGLES ± .XX ± .01 ± .25° ± .XXX ± .005		DSGN APPD DATE		ENGR APPD J.M. Zajac DATE 11/21/07	
MACH. FIN: 63	PROJ APPD DATE		SIZE C	CODE IDENT NO. 50944	DWG NO. X
MAT'L: 1	FIN: 2	CONTRACT		SCALE 1/1	IDEAS MS7
NEXT ASSY X			SHEET 1 OF 1		REV X

4

3

2

1