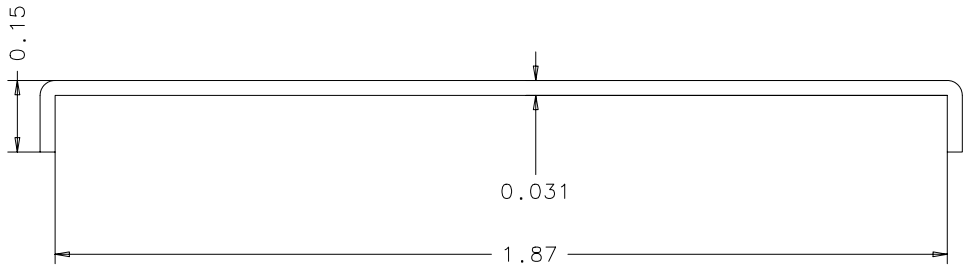
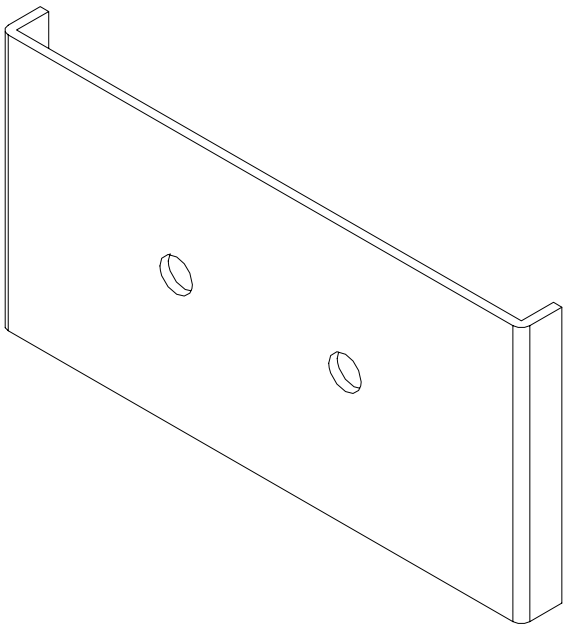
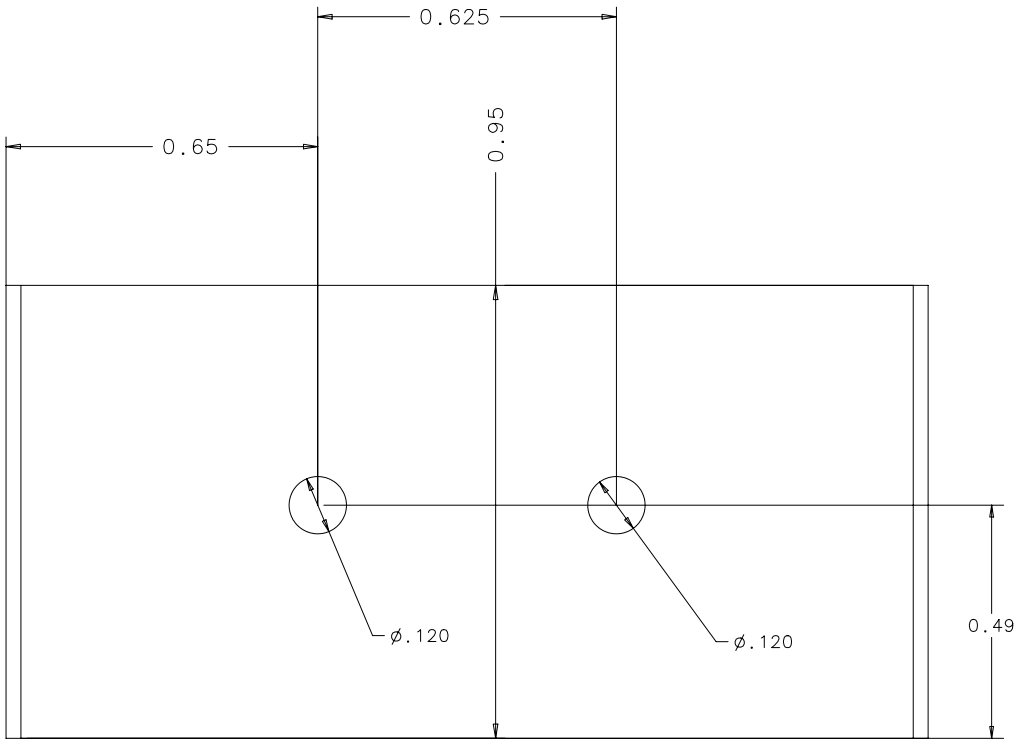


REVISIONS				
ZONE	LTR	DESCRIPTION	DATE	APPROVED
	X	INITIAL X		



NOTES:  
 1 MATERIAL: Aluminum 5052

REMOVE BURRS AND BREAK SHARP EDGES		DR X DATE X	CHK DATE	SMITHSONIAN ASTROPHYSICAL OBSERVATORY CENTRAL ENGINEERING CAMBRIDGE, MA.		
UNLESS OTHERWISE SPECIFIED DIMENSIONS ARE IN INCHES		DSGN APPD DATE		Shield End		
TOLERANCES ON FRACTIONS DECIMALS ANGLES ± .XX ± .01 ± .25° ± .XXX ± .005		DSGN APPD DATE		SIZE CODE IDENT NO. DWG NO. REV		
MACH. FIN: 63		ENGR APPD J.M. Zajac DATE 11/21/07		C	50944	
MAT'L: 1	FIN: 2	PROJ APPD DATE		CONTRACT		
NEXT ASSY X		SCALE 1/1		IDEAS MS7		SHEET 1 OF 1